

Gear Pumps

The Pump People



Product Overview

Gear pumps are designed primarily for metering and transfer applications. Their modular design allows a wide variation of flow ranges with a standard parts set. Gear pumps are self-priming and are “constant flow” pumps when RPM and differential pressure are constant. The materials of construction for bodies, gears and seals, provide a wide range of fluid compatibility.

Pump Specifications:

Flow Rates: Range to 2 liters/min

Max Pressure: 30 psi

Max. Fluid Temperature: Range to 180°F (82°C)

Motors: Thermally protected, continuous duty rated. Available in brush type DC motors.

Selection Procedure: Determine the flow and discharge head requirements for your system. The performance curves on this page provide the flow rates for each gear pump series. If the performance curve characteristics of a pump model do not meet the exact requirements of your application, please consult the factory.

For proper selection of the materials of construction (pump body, seals, shafts, hose connectors, gears, O-rings) refer to the Chemical Resistance Section.

Mesh Size Recommendation: A minimum 80 mesh screen is generally recommended for gear pumps for filtering such things as shavings, packaging materials, etc., in systems that are generally free of particulate contamination. For systems where sand, silt or other particle contamination is expected, a 400 mesh minimum screen is recommended. It should also be noted that sufficient strainer area be provided in order to prevent pump starving and cavitation. The fluid flow rate and viscosity determine how much strainer area is needed. System design should always include testing with the inlet strainer blocked and with maximum fluid viscosity.

OEM Options: GRI specializes in the design and manufacturing of customized pumps for the OEM market. Other gear pumps are available with different flows and pressures. Please contact us to discuss custom OEM options.

Features:

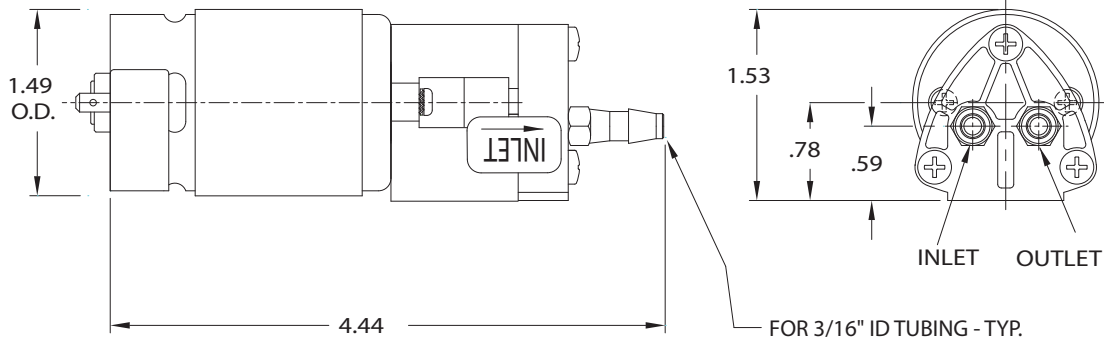
- Long life
- High pressure
- Reversible
- Self-priming
- Pump assemblies made with PPS Polymers
- Compact and durable
- Excellent chemical compatibility
- Positive displacement

The Pump People

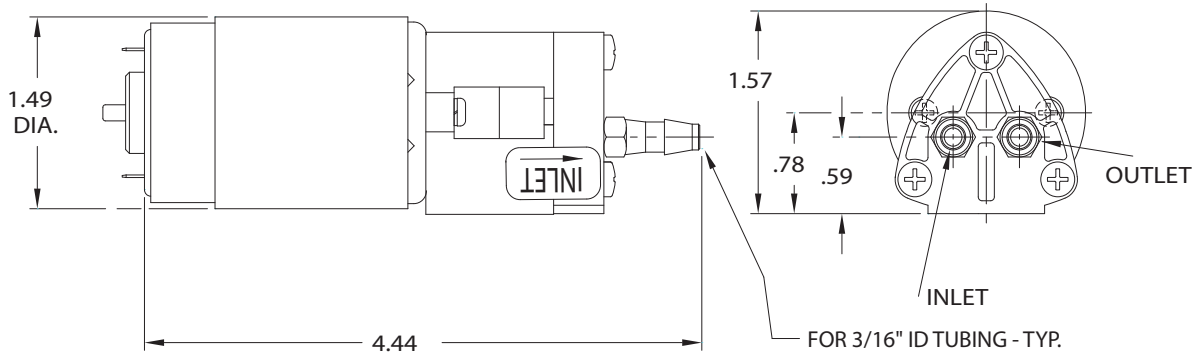
180 Hines Ave. • Bellville, OH 44813 • PH: 419-886-3001 • FAX: 419-886-2338 • www.GRIpumps.com



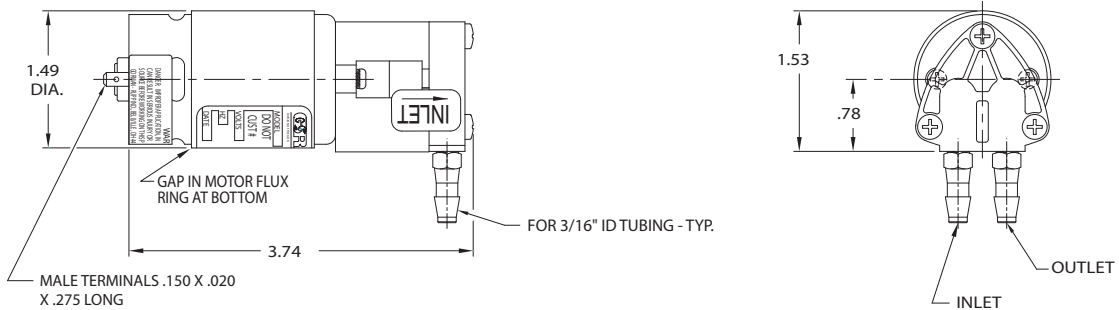
19000-001, 002



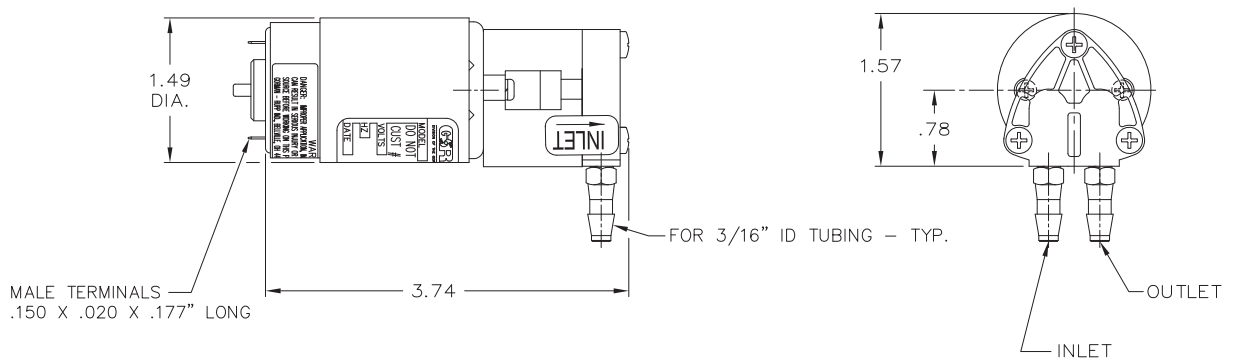
19000-003, 004



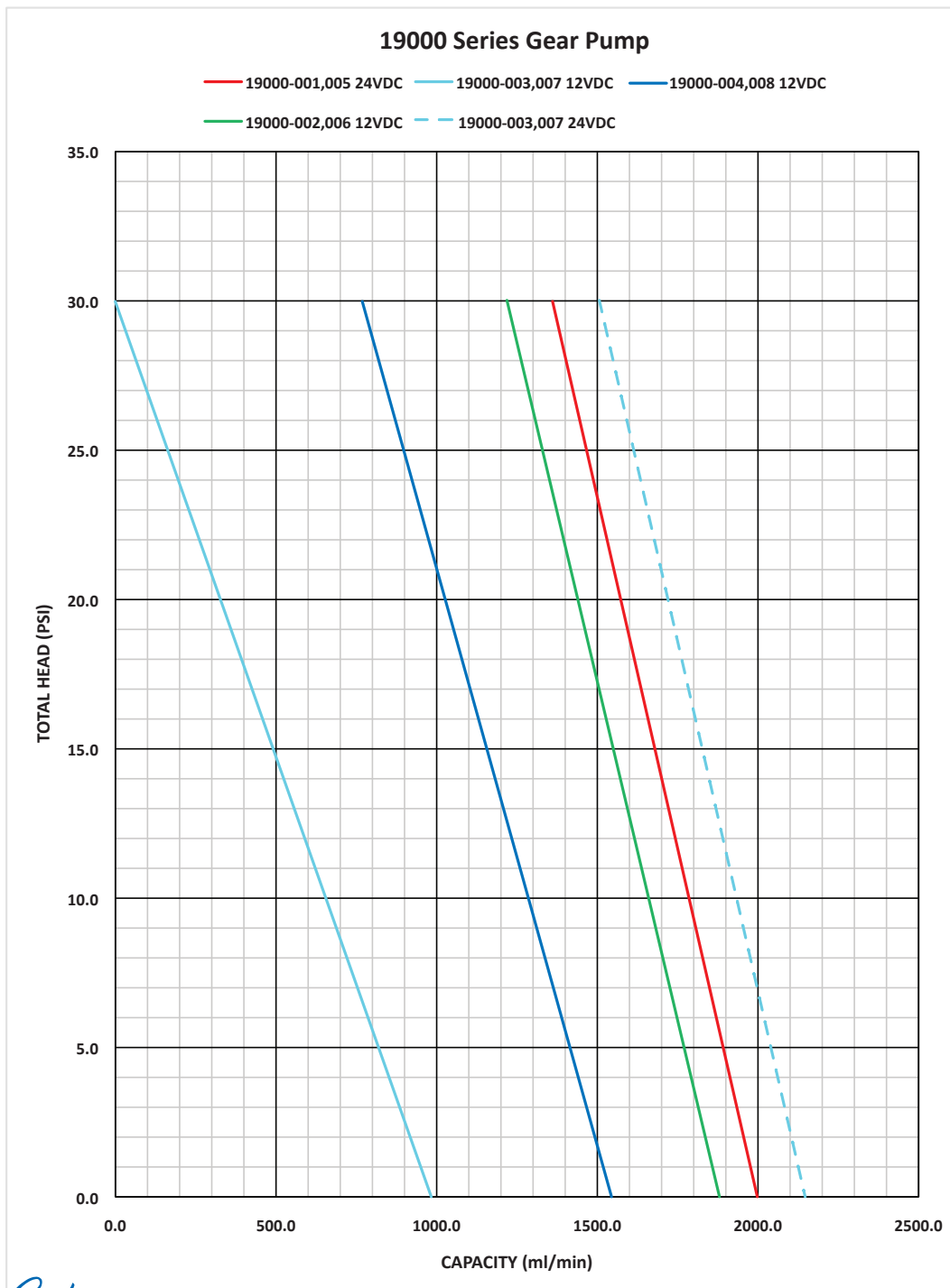
19000-005, 006, 008



19000-007



Model Number	Motor Voltage	Motor Type	Port Positions	Connection Size (inches)	Approx. Wt.	Max. Flow mL/min
19000-001	24 VDC	Brush	Front	3/16	8 oz.	2000
19000-002	12 VDC	Brush	Front	3/16	8 oz.	1875
19000-003	12/24 VDC	Brush	Front	3/16	8 oz.	975/2125
19000-004	12 VDC	Brush	Front	3/16	8 oz.	1550
19000-005	24 VDC	Brush	Side	3/16	8 oz.	2000
19000-006	12 VDC	Brush	Side	3/16	8 oz.	1875
19000-007	12/24 VDC	Brush	Side	3/16	8 oz.	975/2125
19000-008	12 VDC	Brush	Side	3/16	8 oz.	1550



The Pump People

180 Hines Ave. • Bellville, OH 44813 • PH: 419-886-3001 • FAX: 419-886-2338 • www.GRIpumps.com

